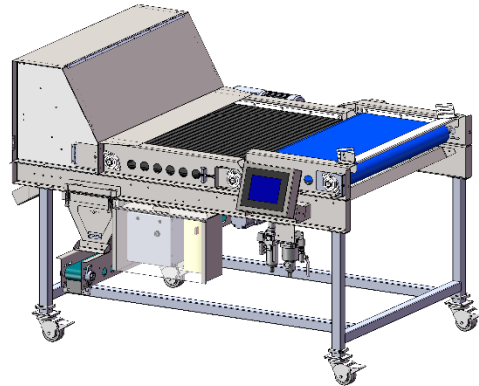


PROCESS **TEK** BY WECO



ProcessTek is the newest sorting platform from WECO. Developed for the pre-IQF or wet process berries. ProcessTek is a single view optical sorter using our new state-of-the-art software ChromaxHD. The ProcessTek will remove, green, red, defect and shrivel berries along with foreign material. It is available in a standard size 40" wide 48 channel belt and a 64" model with 80 channels.



LED Illuminator

Light Emitting Diodes (LEDs) can be found in a wide variety of products today: cars, computer screens, televisions, traffic signals, home and commercial lighting, and even rifle scopes to name just a few. LED advances over the past decade have been driven by the need for more efficient and longer lasting light sources for all types of illumination tasks.

LEDs today can output many times the light LEDs could output just a few years ago. The Chromax LED illuminator uses the latest state-of-the-art LEDs for the highest output, reliability and efficiency possible.



The **Science of Optical Sorting**

OVER 30 YEARS of Electronic Sorting Expertise

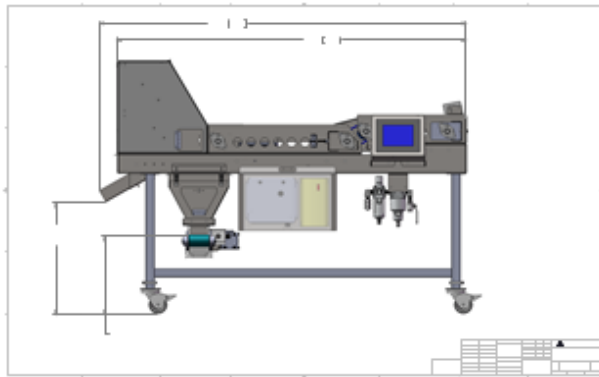
PHONE: 530-666-9190 FAX: 530-666-9428 WEB: wecotek.com
1311 Bluegrass Place, Woodland CA 95776

Durable

The Chromax LED illuminator has no spinning mirrors. In fact, there are no moving parts at all. All alignment and calibration is done at the factory and due to the rigidity of the optic modules, they are unaffected by rough treatment during shipping and operation.

Diffuse

All photographers know that the key to a good photograph is proper lighting to achieve the desired effect. The same is true for optical sorting. The image seen by the sorting camera is very dependent on the nature of the illumination. Unlike laser based systems, the Chromax LED sorting optics generate horizontally diffuse illumination. This minimizes spectral reflections from shiny or wet objects, and the resultant color errors.



See drawing for dimensions.

Modular

In the unlikely event a Chromax optic module fails, it can be replaced in a few minutes on site by a WECO technician without requiring alignment or calibration. This limits the risk of lengthy and costly down-time.

All WECO Sorters are;

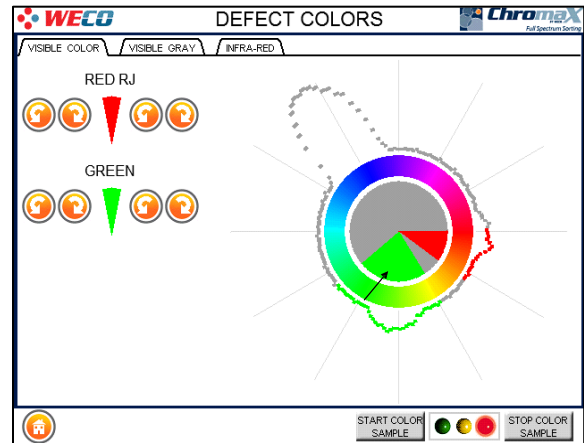
MADE IN THE USA

Controlled Depth of Field

While being highly diffuse horizontally, the special optics collimates the light vertically. Not only is this a very efficient use of the light generated by the LEDs, it also allows for a controlled depth of field and excellent color calibration without requiring a background surface/roller that must be kept very clean. WECO Free-Space Optics eliminate the need for controlled backgrounds and the associated maintenance.

Full Color Spectrum

Chromax sorters are full spectrum sorters operating over the entire visible and infra-red spectrum. Multiple color spaces are used to make the sorters extremely flexible tools for performing a wide variety of sorting tasks. Modeled after human color perception, the sorter is very intuitive to setup and fine tune in operation.



Efficient

The WECO Chromax sorters have very low power requirements and do not require active cooling. There is no need for fans or chillers even in ambient temperatures over 100° degrees F.